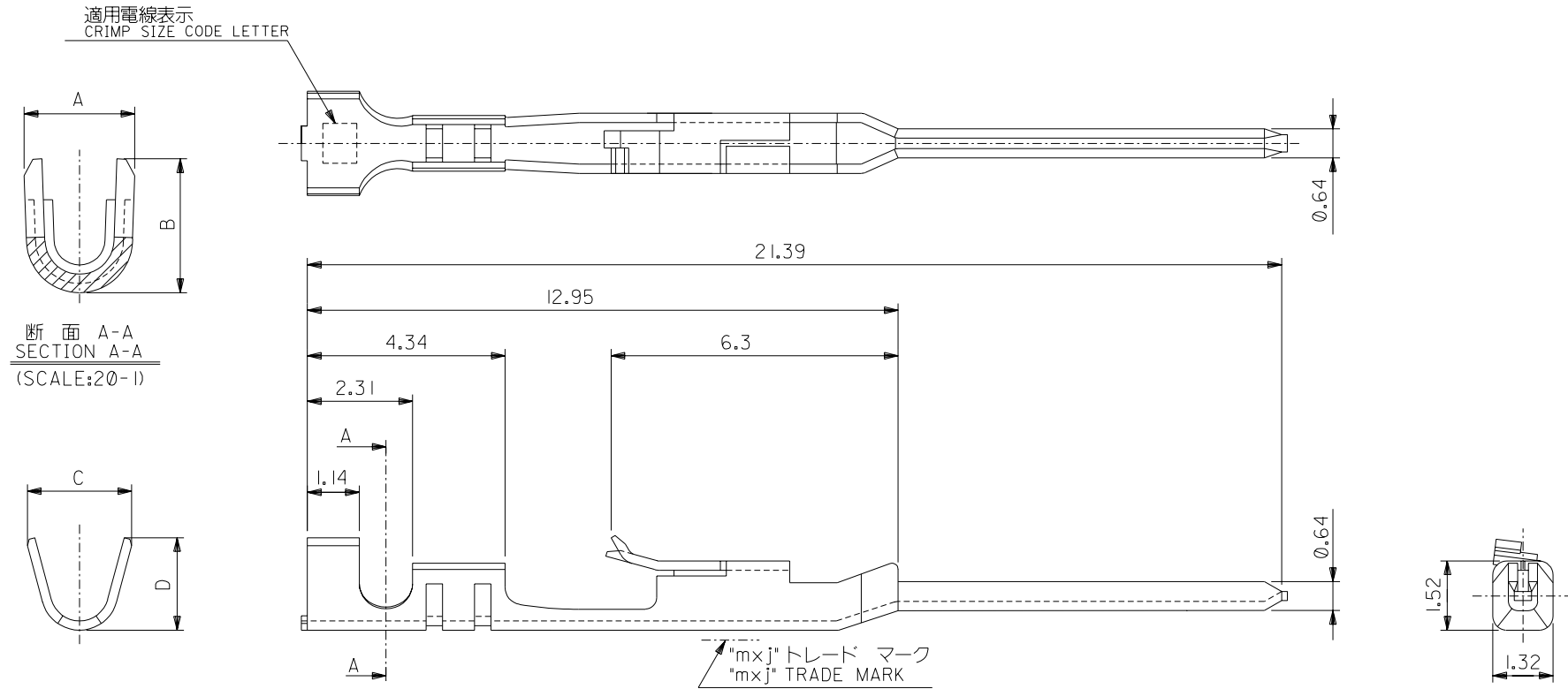


DIMENSIONS IN METRIC DO NOT SCALE DRAWING

ENG. NO. 0\*04  
SD-70021-0\*21

EDP NO. #



注記:  
NOTES:

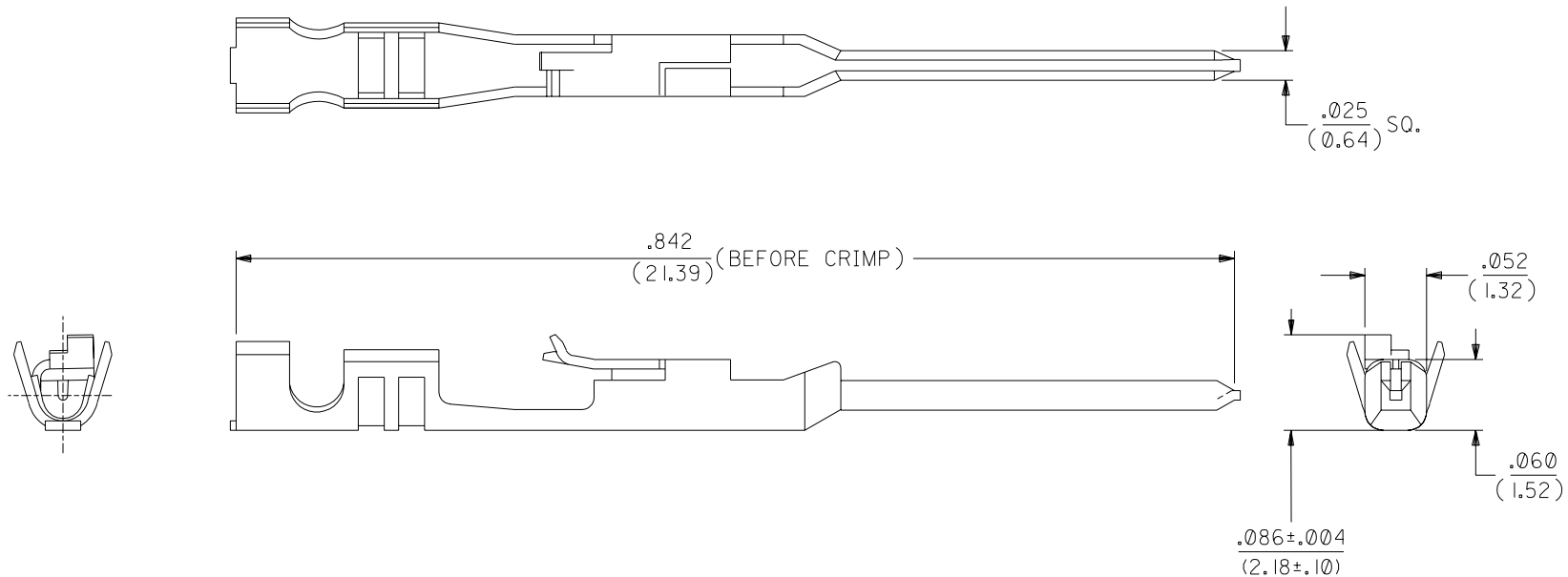
- 適合ハウジング: 70066-\*\*\*\*, 70107-\*\*\*\*  
APPLICABLE HOUSING: 70066-\*\*\*\*, 70107-\*\*\*\*
- 仕上げ ニッケル下地、錫メッキ  
FINISH TIN OVER NICKEL PLATING

1.91	2.1	1.47	1.22	A	φ 1.6 MAX.	AWG#24-#30	バラ状 LOOSE	70021-0204
1.91	2.1	1.65	1.84	C		AWG#22-#24	連鎖状 CHAIN	70021-0004
D	C	B	A	適用電線表示 CRIMP SIZE CODE LETTER	被覆外径 INS. RANGE	適用電線範囲 WIRE RANGE	端子形状 FORM	MATERIAL No.
				材料 MATERIAL	磷青銅 PHOSPHOR BRONZE	t 0.203	MOLEX-JAPAN CO.,LTD. 日本モレックス株式会社	
				仕上げ FINISH	注記参照 SEE NOTES		EDP. NO. #	
角度 ANGLE	+3°	B	変更 REVISED (J2004-4519)	Y.W.	M.S.	04/05/31	適用電線範囲 WIRE RANGE	表参照 SEE CHART
30以上 OVER	+0.3	A	変更 REVISED (T20159)	H.I.	H.I.	19/5/20	被覆外径 INS. RANGE	表参照 SEE CHART
10以上 OVER	+0.25	0	新規作成 RELEASED (T00110)	Y.W.	M.S.	19/4/6	DR. BY A. Mitake	CHK'D BY M. Kuro
10未満 UNDER	+0.2	記号 LTR	変更内容 REVISION RECORD	DR. CHK.	日付 DATE		APP'D BY S. Yamada	尺度 SCALE 10-1
一般公差 GENERAL TOLERANCES	REVISE ONLY ON CAD SYSTEM							

THIS DRAWING CONTAINS INFORMATION THAT IS PROPRIETARY TO MOLEX(JAPAN) AND SHOULD NOT BE USED WITHOUT WRITTEN PERMISSION  
本図面は日本モレックス(株)の所有する情報を含むもので 当社の許可なく複製を禁止する。

MXJ-8

10 | 9 | 8 | 7 | 6 | 70021 | 4 | 3 | 2 | 70021



**NOTES:**

1. TERMINAL FOR USE WITH HOUSING PART NO. 70066-\*\*\*\* & 70107-\*\*\*\*.
2. MATERIAL: .008/(0.20) THK. PHOSPHOR BRONZE.
3. TERMINAL TO BE USED WITH 22-24 AWG STRANDED WIRE WITH .064 DIA. MAX. INSULATION.
4. REFER TO MOLEX OPERATIONAL AND SERVICE MANUAL FOR DETAILS.
5. REFER TO PRODUCT SPECIFICATION NO. PS-70021.
6. PARTS SUPPLIED IN REEL FORM.

**PLATING:**

.000150 MIN. TIN PLATE  
OVER NICKEL PLATE.

\*THE PRIMARY SHIPPING CARTON WILL BE LABELED "COMPLIANT TO  
RoHS DIRECTIVE 2002/95/EC AND ELV ANNEX II OF DIRECTIVE 2000/53/EC".  
CARTONS WITHOUT THIS LABEL MAY CONTAIN PRODUCT WITH LEAD.

D	LEAD FREE UCP2004-1769 RWHITE 04/03/12
CI	REVISED ECR #U80270 MCGRATH 97/07/31
C	164 PLTG. WAS 102 PER ECR # U31149 08/17/93 REED
B	REDRAWN ON CAD PER ECR # 9509 11/10/86 WJF/MJM

MFG.	SH.	REV.	LTR.	REVISIONS
------	-----	------	------	-----------

DIMENSIONS SHOWN (METRIC) INCH		▽ = 0		▼ = 0		REVISE ONLY ON CAD SYSTEM	
UNLESS OTHERWISE SPECIFIED TOLERANCES: ANGULAR ± 1/2°							
		INCH		METRIC			
3 PLACE		± .010		---			
2 PLACE		± .015		± 0.25			
1 PLACE		---		± 0.35			
DRAFT WHERE APPLICABLE MUST REMAIN WITHIN DIMENSIONS							
DRWG. BY: WJF		CHK'D. BY: MJM		FILE NAME: S70021X21 DGN		DIV. SIZE: DA B	
APP'D. BY: WAZ		SCALE: 10:1		PART NO. 16-02-0107		DRWG. NO. SD-70021-0021	
MOLEX INCORPORATED		LISLE, ILL. 60532		SHEET NO. 1		DATE 10/30/86	

10 | 9 | 8 | 7 | 6 | 5 | 4 | 3 | 2 | 1